

Video Survey Field Sheet

TRAFSTATS PROJECT #

SURVEY DATE

05-183

8-6-05

LOCATION:

OR 18 / Slick Rock Rd.

MAP PAGE

GRID

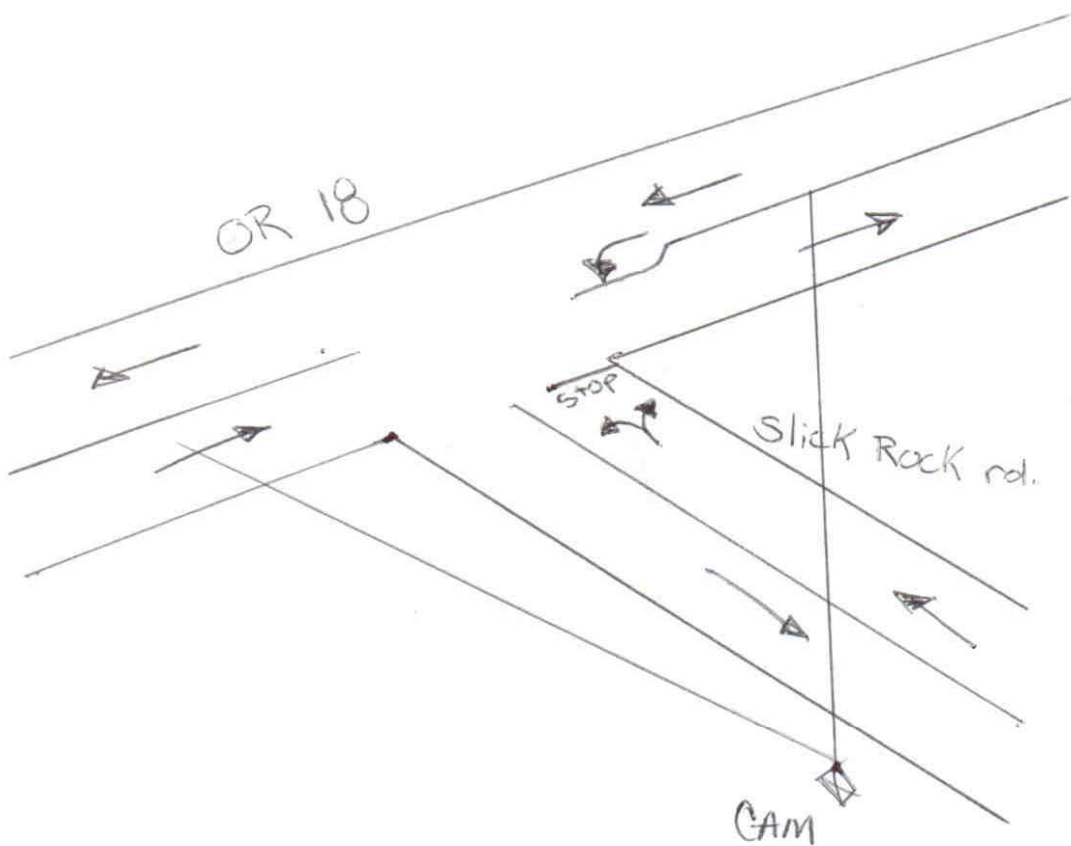
CITY:

OTIS, OR - or close to!

TIME

3p - 5p

WEATHER: Sunny Overcast Rain Snow Fog



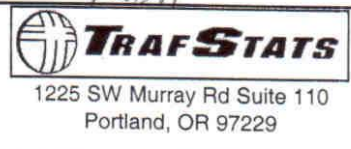
CAMERA - A		R
Number	C12	
Date:	8-6-05	
Time:	1:29	
Film:	T13	
Batt:	B31	
Date:		
Time:		
Film:		
Batt:		
Date:		
Time:		
Film:		
Batt:		
Date:		
Time:		
Film:		
Batt:		

CAMERA - B		R
Number		
Date:		
Time:		
Film:		
Batt:		
Date:		
Time:		
Film:		
Batt:		
Date:		
Time:		
Film:		
Batt:		
Date:		
Time:		
Film:		
Batt:		
Date:		
Time:		
Film:		
Batt:		

REMARKS:

Surveyed By:

NSA





Intersection Turning Movement Summary Report

Location OR 18 AT SLICK ROCK ROAD
Date 8/6/2005
Day of Week Saturday
Time Begin 15:00
Reviewed By: BV

Time Period	Eastbound			Westbound			Northbound			Southbound			Totals
	Right	Thru	Left	Right	Thru	Left	Right	Thru	Left	Right	Thru	Left	
15:00 - 15:15	3	123	0	0	216	0	0	0	4	0	0	0	346
15:15 - 15:30	6	142	0	0	194	1	0	0	4	0	0	0	347
15:30 - 15:45	11	133	0	0	226	1	0	0	2	0	0	0	373
15:45 - 16:00	8	159	0	0	165	3	0	0	0	0	0	0	335
16:00 - 16:15	4	129	0	0	156	0	2	0	3	0	0	0	294
16:15 - 16:30	6	182	0	0	155	0	0	0	4	0	0	0	347
16:30 - 16:45	6	147	0	0	141	1	1	0	5	0	0	0	301
16:45 - 17:00	8	166	0	0	113	0	2	0	3	0	0	0	292
Movement Totals	52	1181	0	0	1366	6	5	0	25	0	0	0	2635
Enter Totals	1233			1372			30			0			
Exit Totals	1186			1391			0			58			

Two-Hour Totals

Light Trucks	0	11	0	0	22	0	0	0	0	0	0	0	33
Medium Trucks	0	2	0	0	3	0	0	0	2	0	0	0	7
Heavy Trucks	0	3	0	0	2	0	0	0	0	0	0	0	5
% Trucks	0.0%	1.4%	NA	NA	2.0%	0.0%	0.0%	NA	8.0%	NA	NA	NA	1.7%
Buses	0	0	0	0	0	0	0	0	0	0	0	0	0
Bicycles	0	2	0	0	0	0	0	0	0	0	0	0	2

	South	West	East	North	
Pedestrians	0	0	0	0	0

Peak Hour Information

Peak Hour 15:00 16:00

	Eastbound			Westbound			Northbound			Southbound			Totals
	Right	Thru	Left	Right	Thru	Left	Right	Thru	Left	Right	Thru	Left	
Movement Total	28	557	0	0	801	5	0	0	10	0	0	0	1401
Peak Hour Factor	0.64	0.88	NA	NA	0.89	0.42	NA	NA	0.63	NA	NA	NA	0.94

Enter Totals	585			0			10			806		
Peak Hour Factor	0.88			NA			0.63			0.89		

Exit Totals	557			33			0			811		
Peak Hour Factor	0.88			0.69			NA			0.89		

Light Trucks	0	5	0	0	15	0	0	0	0	0	0	0	20
Medium Trucks	0	1	0	0	2	0	0	0	0	0	0	0	3
Heavy Trucks	0	3	0	0	1	0	0	0	0	0	0	0	4
% Trucks	0.0%	1.6%	NA	NA	2.2%	0.0%	NA	NA	0.0%	NA	NA	NA	1.9%
Buses	0	0	0	0	0	0	0	0	0	0	0	0	0
Bicycles	0	2	0	0	0	0	0	0	0	0	0	0	2

	South	West	East	North	
Pedestrians	0	0	0	0	0

Intersection Turning Movement Peak Hour Diagram

Location OR 18 AT SLICK ROCK ROAD
Date 8/6/2005
Day of Week Saturday
Time Begin 15:00
Reviewed By: BV

